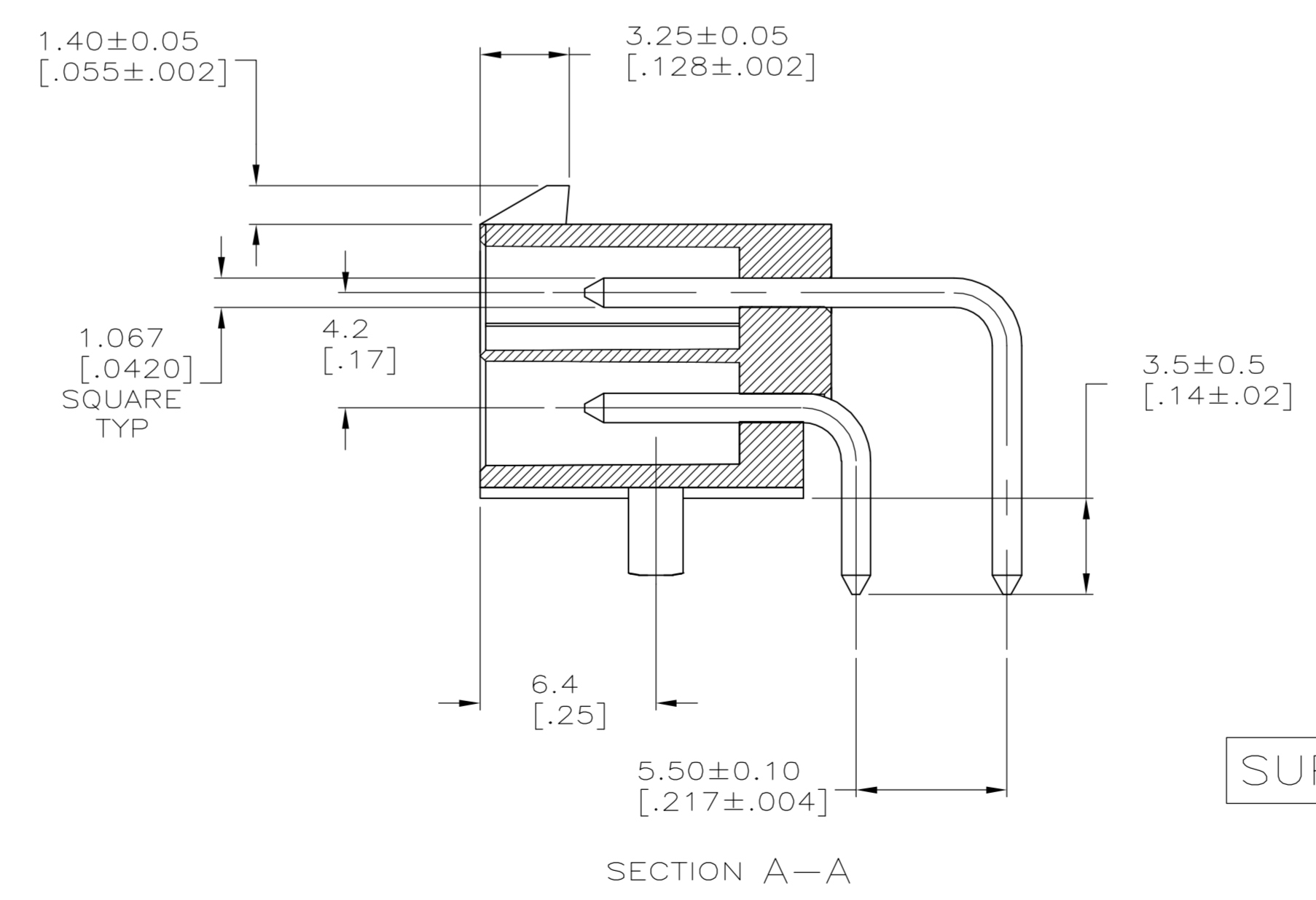
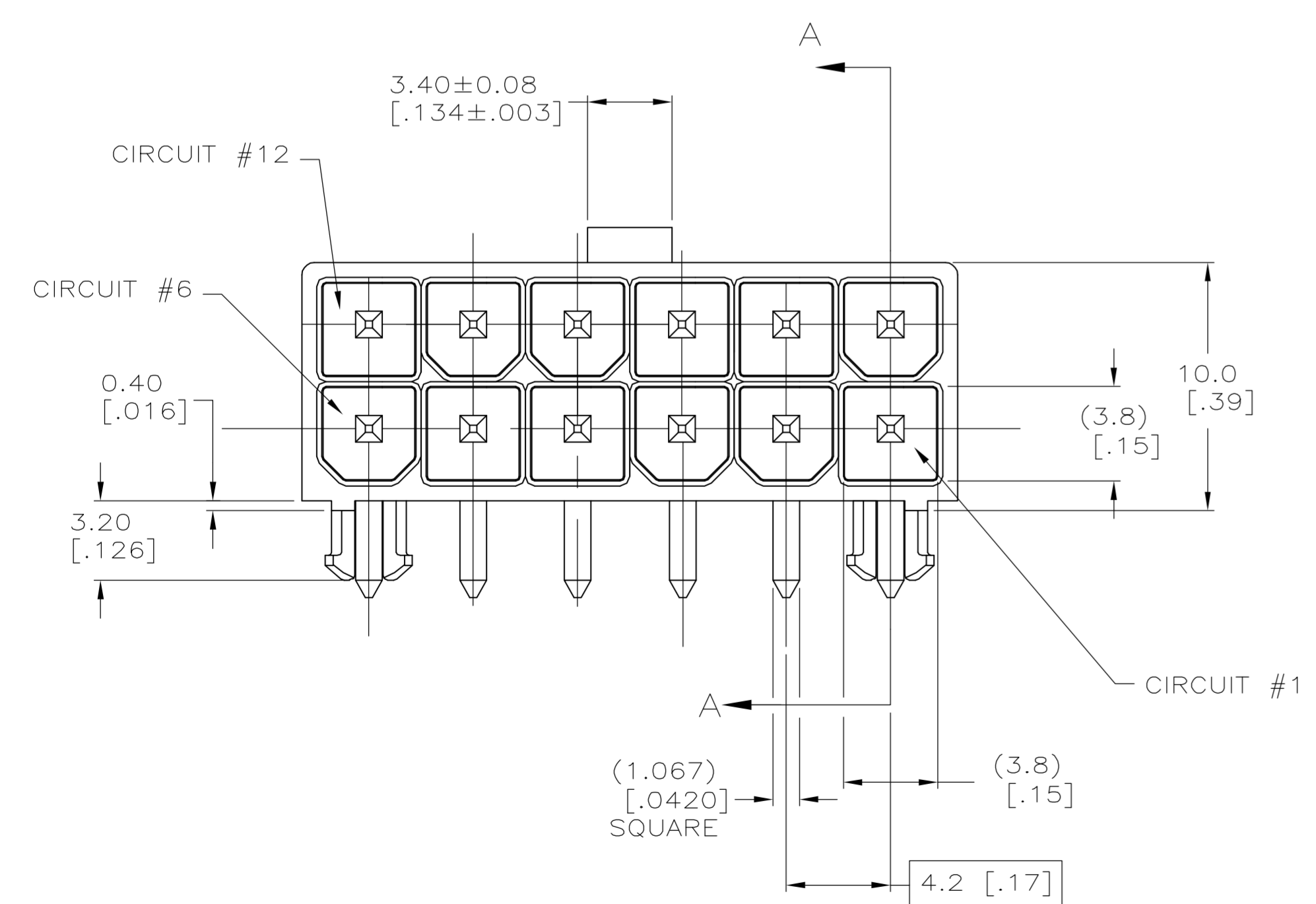
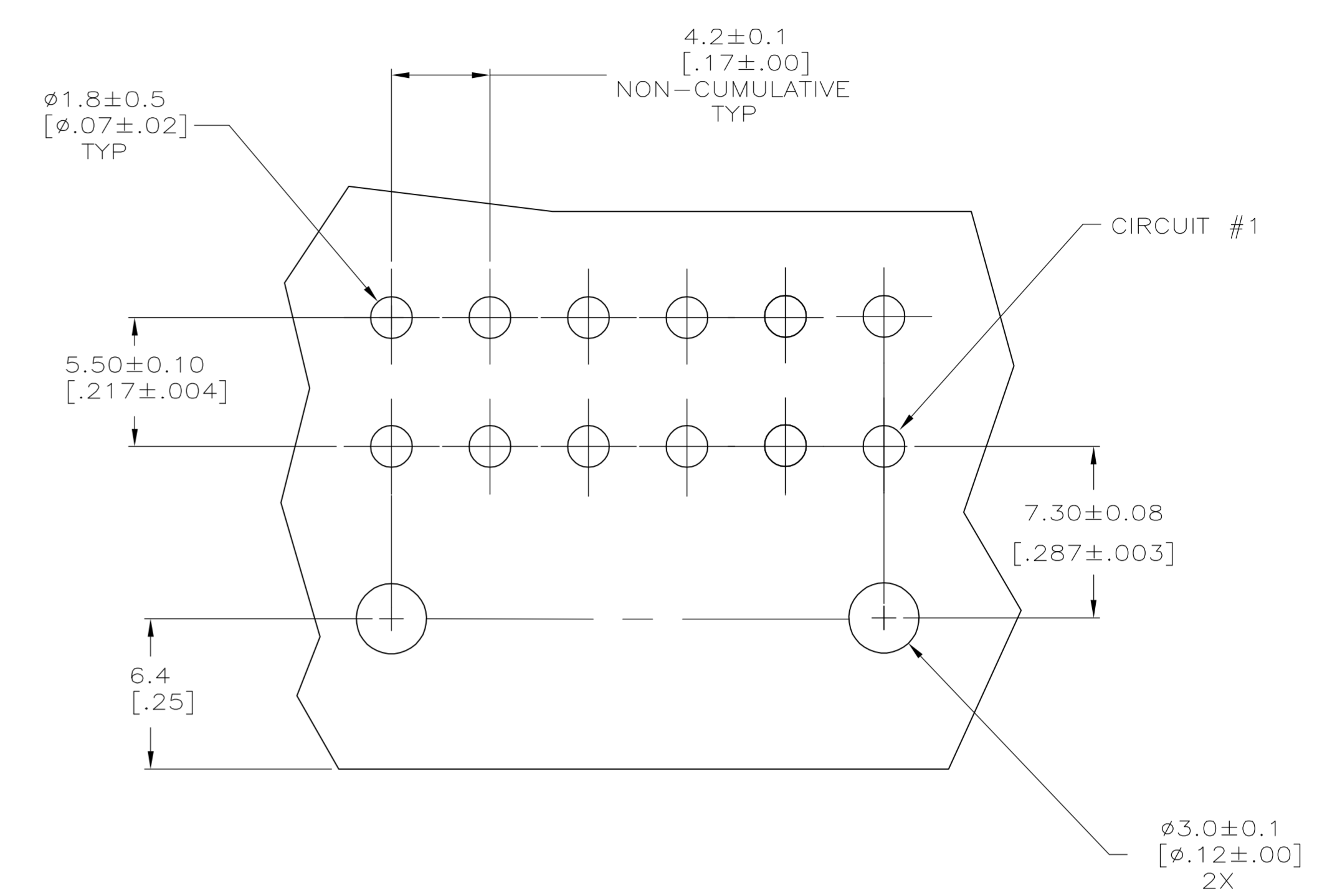
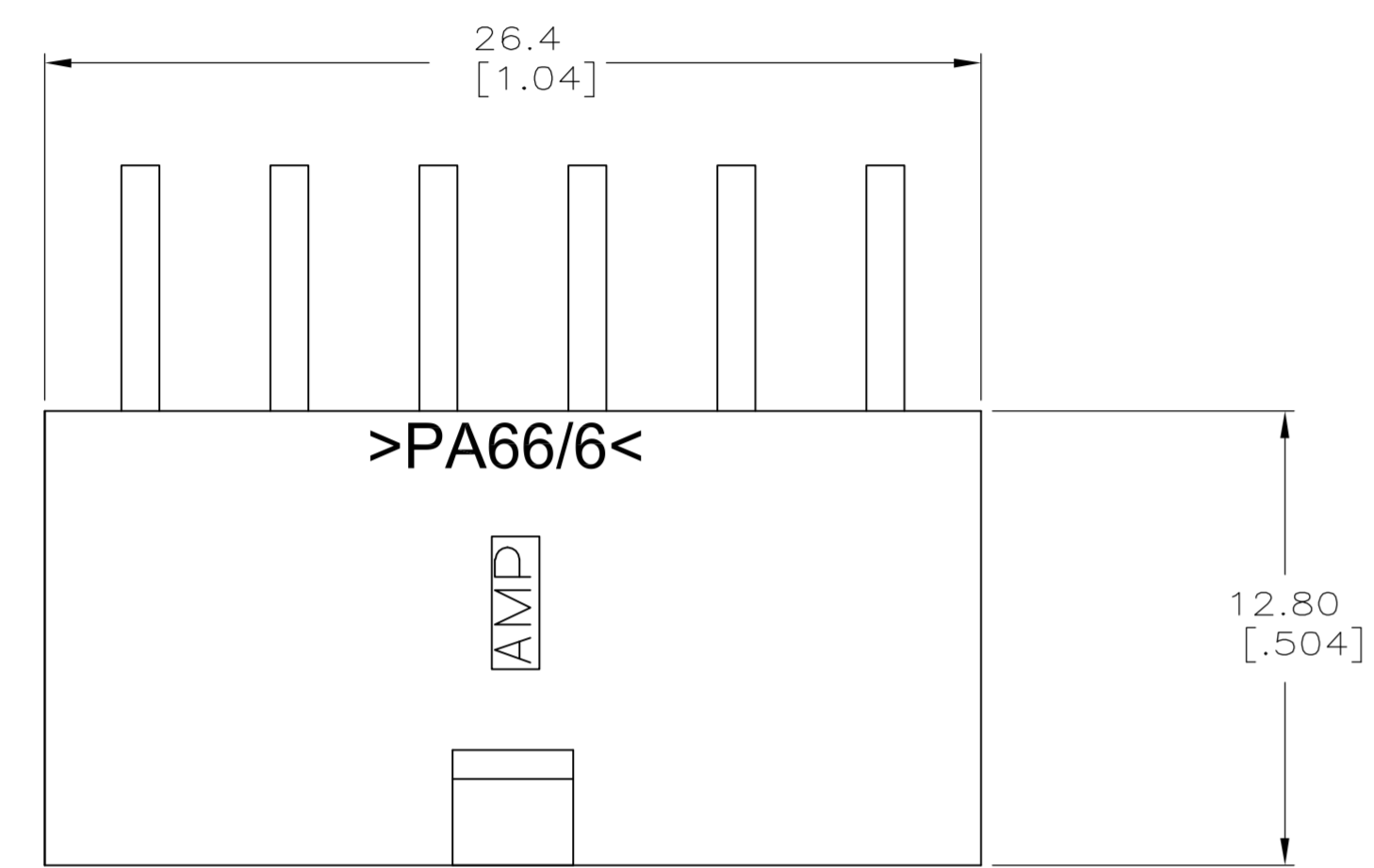


- 1 MATERIAL: HOUSING - NYLON, UL94V-0 (COLOR - WHITE).  
PIN - 1.067mm<sup>2</sup> [.0017in<sup>2</sup>] COPPER ALLOY.
- 2 PINS TO COMPLY WITH SOLDERABILITY SPEC 109-11-3.
- 3 0.00381 [.000150] MINIMUM TIN LEAD OVER 0.00127 [.000050] MINIMUM NICKEL, ENTIRE LENGTH OF PIN.
- 4 NOTE DELETED.
- 5 0.00381 [.000150] MINIMUM TIN OVER 0.00127 [.000050] MINIMUM NICKEL, ENTIRE LENGTH OF PIN.



SUPERSEDED BY 1-794531-1

1	5	1	1	1-794531-1
1	3	1	1	794531-1
MATERIAL		FINISH		ASSEMBLY
PIN		HOUSING		

**METRIC**

THIS DRAWING IS A CONTROLLED DOCUMENT.

DIMENSIONS: mm [INCHES]	TOLERANCES UNLESS OTHERWISE SPECIFIED: 0 PLC ± 0.2 [0.1] 1 PLC ± 0.13 [0.05] 2 PLC ± 0.13 [0.05] 3 PLC ± 0.13 [0.05] 4 PLC ± 0.13 [0.05] ANGLES: ± 0° 30'	DWN S. HOOVER 02-MAR-2005 CHK D. COLEY 02-MAR-2005 APVD D. COLEY 02-MAR-2005	NAME <b>tyco</b> Tyco Electronics Corporation Harrisburg, Pa 17105-3608
MATERIAL SEE CHART	FINISH SEE CHART	PRODUCT SPEC 108-1646 APPLICATION SPEC 114-6067	SIZE CASE CODE DRAWING NO A1 00779 C=794531
CUSTOMER DRAWING		SCALE 5:1	SHEET 1 OF 1 REV D